


Stainless steel

TECHNICAL DATA

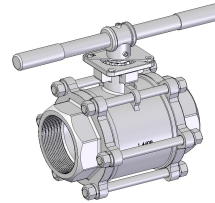
operating temperature:	-20°C to max. +180°C, dependent on pressure
working pressure:	max. PN 64 bar
actuator connection :	according to ISO 5211
connecting thread:	according to DIN ISO 228/1
body material :	stainless steel 1.4408 - CF8M
ball :	stainless steel 1.4408 - CF8M
ball seal :	PTFE TFM 1600
stem :	stainless steel 1.4401
stem seals :	PTFE / FKM
lever :	stainless steel 1.4401 with drilling for padlock
locking flap :	stainless steel 1.4401
security :	blow-out proof stem, antistatik construction
case wall strengths :	according EN 12516-3
inspection and test :	API 598, EN 12266
licensing :	 94/9/EG ATEX TA-Luft construction



8.112

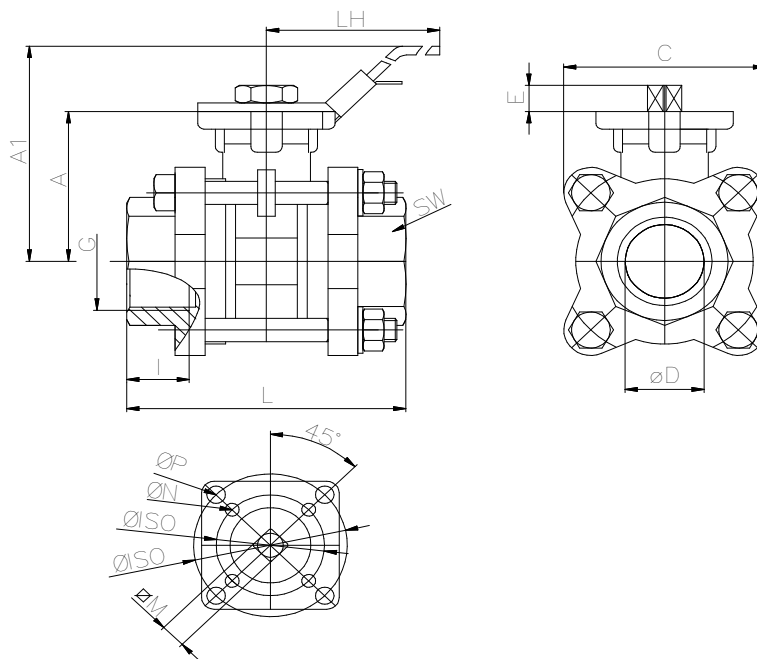


8.112G



DN100

Connecting thread female/female



art.nr.	G	DN	øD mm	L mm	l mm	C mm	SW mm	A mm	A1 mm	LH mm	M mm	E mm	ø ISO	øP/Nmm	PN bar
8.112.010	1/4"	10	9,3	75	17	47	28	42	77	145	9	9	F 03/04	6 / 6	64
8.112.012	3/8"	12	12,7	75	17	47	28	42	77	145	9	9	F 03/04	6 / 6	64
8.112.015	1/2"	15	15	75	17	47	28	42	77	145	9	9	F 03/04	6 / 6	64
8.112.020	3/4"	20	20	80	18	55	35	48,5	83	145	9	9	F 03/05	7 / 6	64
8.112.025	1"	25	25	90	22	60	42	58,5	100	175	11	11	F 04/05	7 / 6	64
8.112.032	1 1/4"	32	32	110	23	74	52	63	98	175	11	11	F 04/07	9 / 6	64
8.112.040	1 1/2"	40	38	120	25	80	59	71	90	195	14	14	F 05/07	9 / 7	64
8.112.050	2"	50	50	140	26	95	72	78	118	195	14	14	F 05/07	9 / 7	64
8.112.065	2 1/2"	65	63,5	185	35	118	87	100	161	295	17	17	F 07/10	11 / 9	64
8.112.080	3"	80	76	205	35	175	102	109	153	295	17	17	F 07/10	11 / 9	64
8.112.100	4"	100	100	240	38	224	132	140	183	400	22	22	F10	11	64

06/2017