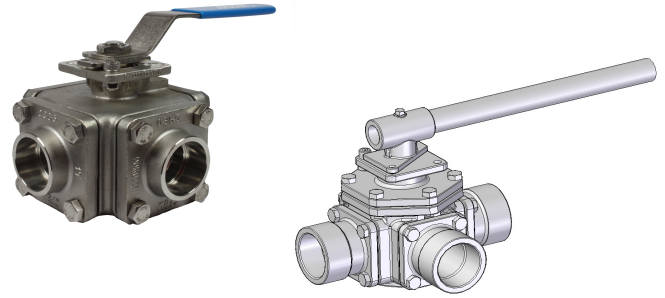


## Stainless steel


### TECHNICAL DATA

Working temperature :	-20°C until max. +180°C, pressure dep.
Working pressure:	max. PN 40 bar
Welded connection:	DIN EN 12982
Actuatormounting:	acc. ISO 5211
Body material::	Stainless steel 1.4408
Ball:	Stainless steel 1.4401
Ballsealings:	PTFE
Stem:	Stainless steel 1.4401
Stemsealing::	PTFE / FKM
Security:	blow-out proofed stem, with anti-static device
Lever handle:	Stainless steell (DN15-DN50), lockable Carbon steell (DN65-DN200), lockable



DN65 - DN100

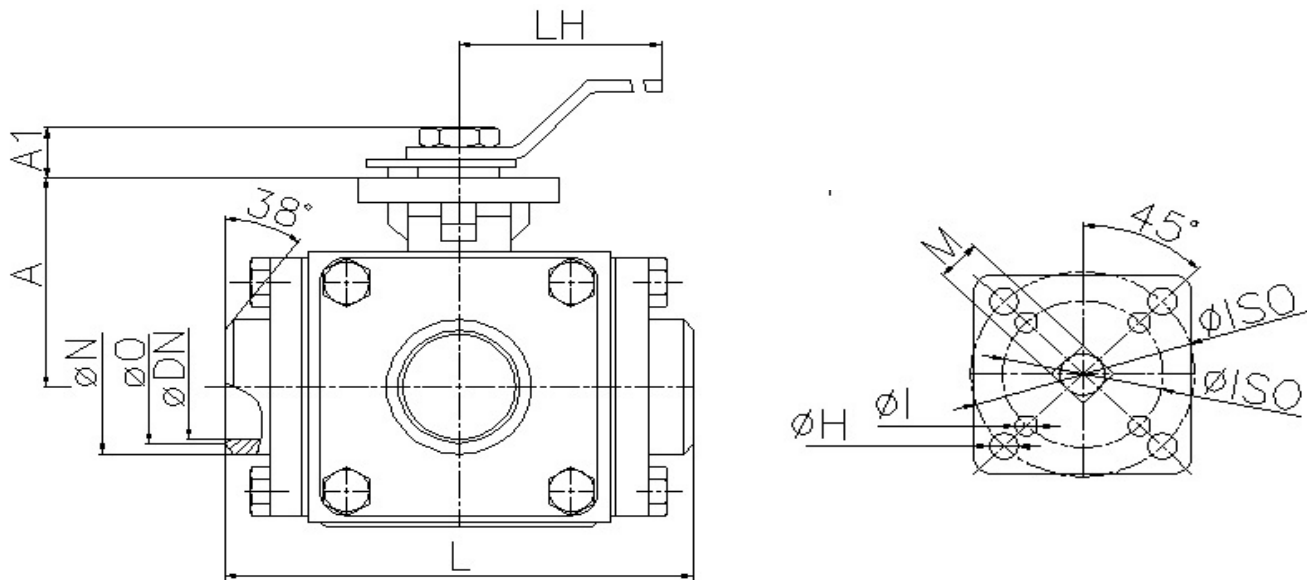
**Ball-valve waist radial dismantled, 4-hole execution, or with X-Configuration on request**

Also delivered in :  94/9/EG  
ATEX

8.322 : T-Port

8.327 : L-Port

## Welded connection



Art. Nr.	øDN	A mm	A1 mm	øN mm	øO mm	L mm	LH mm	øISO	øH mm	øI mm	M mm
8.322/327.015	15	41	11	21,5	17,5	105	130	F 03/04	6	6	9
8.322/327.020	20	49	14	27,5	22,5	112	165	F 04/05	7	6	11
8.322/327.025	25	55	14	34,5	28	128	165	F 04/05	7	6	11
8.322/327.032	32	63	18	42,5	35	140	205	F 05/07	9	7	14
8.322/327.040	38	74	18	49	41	160	205	F 05/07	9	7	14
8.322/327.050	50	93	23	61	54	192	325	F 07/10	11	9	17
8.322/327.065	65	119	25	77	70	265	400	F 10	11	/	22
8.322/327.080	80	137	25	91	85	290,6	500	F 10	11	/	22
8.322/327.100	100	157	25	115	100	345	650	F 10	11	/	22