


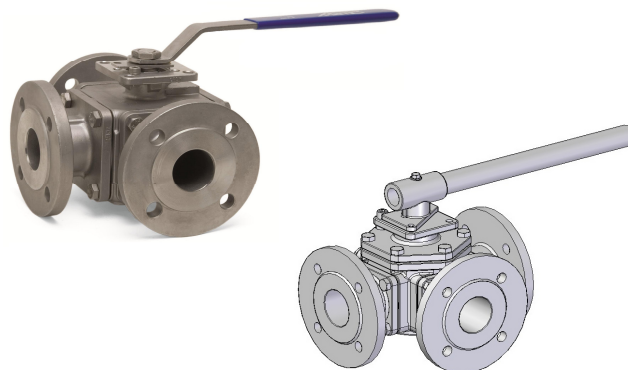
Stainless steel

TECHNICAL DATA

temperature range :	-20°C up to max. +180°C, pressure dependent
pressure range :	max. PN 16 bar
flange connection :	according to EN 1092-1
actuator connection :	according to ISO 5211
body material :	Stainless steel 1.4408
ball :	Stainless steel 1.4401
ball seals :	PTFE
stem:	Stainless steel 1.4401
stem seals :	PTFE / FKM
Security:	blow-out proofed stem, with anti-static device
handle:	Stainless steel (DN15-DN50), lockable Carbon steel (DN65-DN200), lockable
licence:	TA-Luft construction

Also delivered in :  94/9/EG
ATEX

Ball-valve waist radial dismantled, 4-hole execution, or with X-Configuration on request

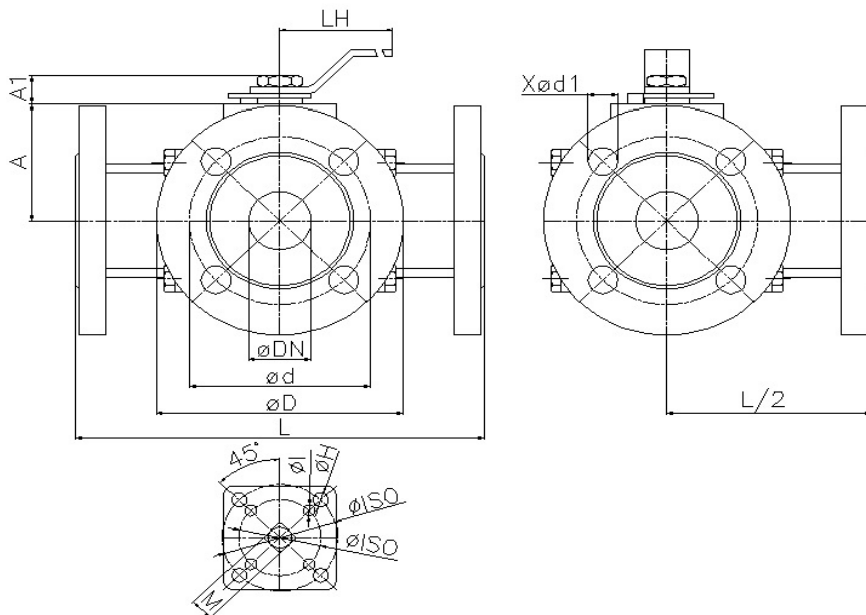


DN65 - DN200

8.324 : T-bore

8.329 : L-bore

Flange connection



Art. Nr.	øDN	A mm	A1 mm	L mm	LH mm	øD mm	ød mm	Xød1 mm	øISO	øH mm	øl mm	M mm
8.324/329.015	15	41	11	160	130	95	65	4xø14	F 03/04	6	6	9
8.324/329.020	20	49	14	177	165	105	75	4xø14	F 04/05	7	6	11
8.324/329.025	25	55	14	190	165	115	85	4xø14	F 04/05	7	6	11
8.324/329.032	32	63	17	208	205	140	100	4xø18	F 05/07	9	7	14
8.324/329.040	38	74	16	234	205	150	110	4xø18	F 05/07	9	7	14
8.324/329.050	50	93	21	273	325	165	125	4xø18	F 07/10	11	9	17
8.324/329.065	62	144	25	300	400	185	145	4xø18	F 10	11	/	22
8.324/329.080	76	162	25	305	500	200	160	8xø18	F 10	11	/	22
8.324/329.100	96	182	25	368,5	650	220	180	8xø18	F 10	11	/	22
8.324/329.125	125	139,5	59	418	860	250	210	8xø18	F 12	13	/	28
8.324/329.150	150	160	62	427	1200	285	240	8xø22	F 12	13	/	36
8.324/329.200	200	201	62	532	1500	340	295	12xø22	F 12	13	/	36