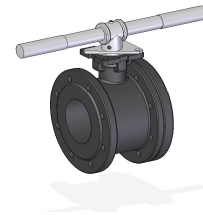


### Stainless steel

#### TECHNICAL DATA

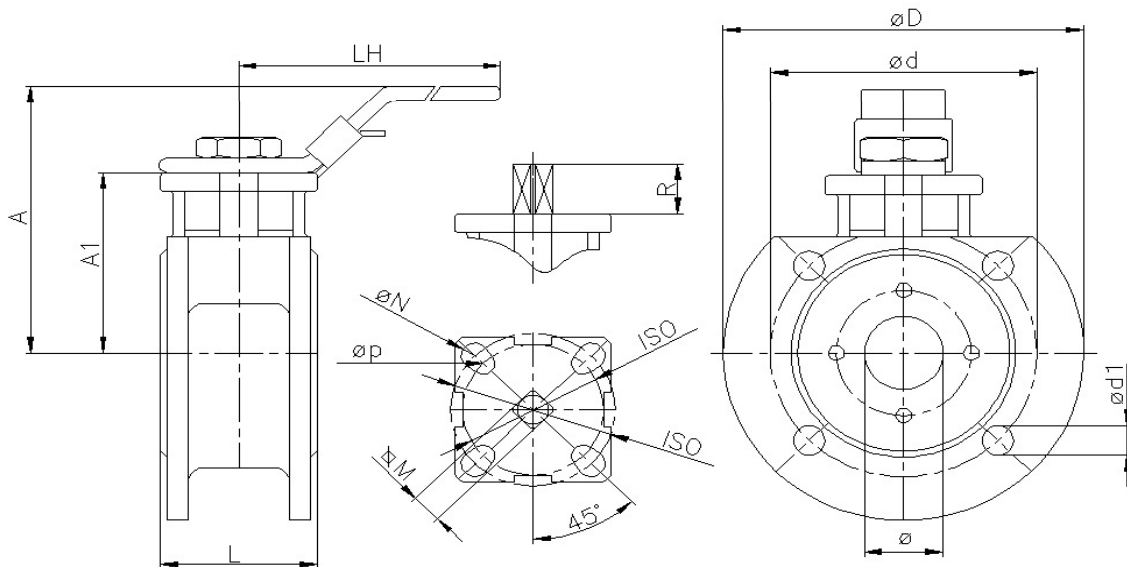
Temperature range :	0°C up to +65°C ( max. 30 min.up to max. 90°C)
Pressure range :	Max. PN 10/16 bar
Flange connection	According to DIN 2501/1 - EN 1092-1
Actuator connection :	According to DIN EN ISO 5211
Body material :	Stainless steel 1.4408
Ball :	Stainless steel 1.4408 with flush drilling
Ball seals :	PTFE TFM 1600
Stem:	Stainless steel 1.4401
Stem seals :	PTFE TFM1600   EPDM
Case wall strengths:	According to EN 12516-1
Lever :	Stainless steel, green plastic cover, lockable

<b>License :</b>	DIN EN 1074-1; DIN EN 1074-2 DIN EN 13828   DVGW W570-1
------------------	--



DN100 - DN150

### Flangeconnection



Art. Nr.	øDN	A mm	A1 mm	LH mm	L mm	øD mm	ød mm	øD1 mm	ø mm	M mm	ISO	øN mm	øp mm	R mm	PN bar
8.440DVGW.015	15	82	48	145	42	95	65	4xM12	15	9	F03/04	6	6	9	10/16
8.440DVGW.020	20	85	51	145	44	105	75	4xM12	20	9	F03/04	7	6	9	10/16
8.440DVGW.025	25	98	62	175	50	115	85	4xM12	25	11	F04/05	7	6	11	10/16
8.440DVGW.032	32	110	72	175	60	140	100	4xM16	32	11	F04/05	9	6	11	10/16
8.440DVGW.040	R40	115	78	196	65	150	110	4xM16	38	14	F05/07	9	7	14	10/16
8.440DVGW.050	50	123	86	196	80	165	125	4xM16	50	14	F05/07	9	7	14	10/16
8.440DVGW.065	R65	168	110	265	110	185	145	4xM16	63,5	17	F07/10	11	9	17	10/16
8.440DVGW.080	R80	170	116	265	120	200	160	8xM16	76	17	F07/10	11	9	17	10/16
8.440DVGW.100	R100	210	139	400	150	220	180	8xM16	95	22	F10	11	/	22	10/16
8.440DVGW.125	R125	256	176	800	180	250	210	8xM16	118	27	F12	14	/	27	10/16
8.440DVGW.150	150	272	192	800	225	285	240	8xM20	142	27	F12	14	/	27	10/16

DN	15	20	25	32	40	50	65	80	100	125	150
weight (g)	1300	1750	2130	3680	4650	6280	10100	14420	22650	33500	50600

07/2018