

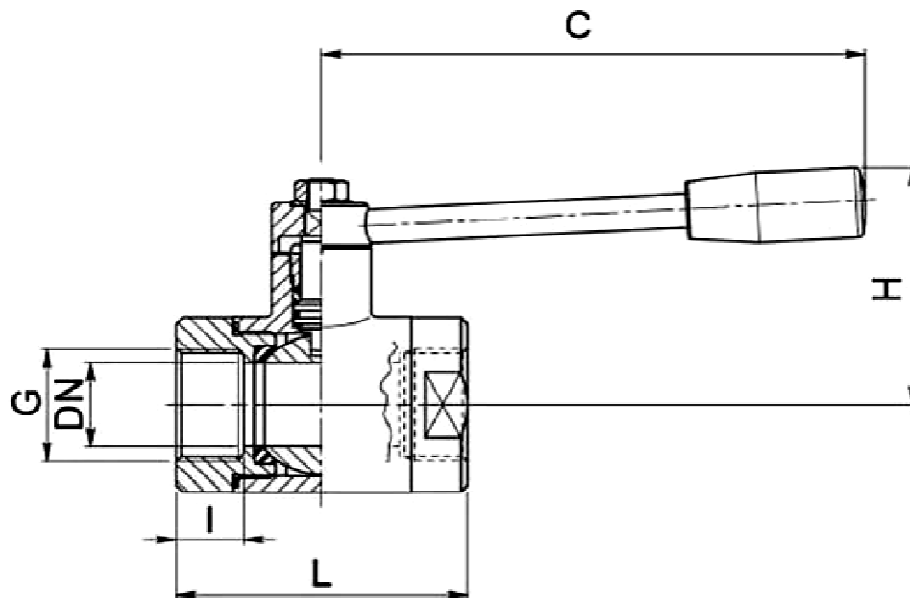
## Stainless steel

### TECHNICAL DATA

operating temperature:	-20°C up to max. +160°C, dependent on pressure
working pressure:	max. PN 64 bar
thread connection :	DIN ISO 228
body material :	stainless steel 1.4401-polished
Screw-in bush:	stainless steel 1.4401-polished
ball :	stainless steel 1.4401-polished
ball seal :	PTFE
stem :	stainless steel 1.4401-polished
stem seals :	PTFE / FKM
handle:	stainless steel 1.4301-polished



## Connecting thread female/female



Art. Nr.	G"	øDN	L mm	I mm	H mm	C mm	PN bar
8.800.008	1/4"	9	52	13	50	110	64
8.800.010	3/8"	10	52	13	50	110	64
8.800.015	1/2"	15	62	15	55	110	64
8.800.020	3/4"	20	72	17	60	110	64
8.800.025	1"	25	82	19	65	160	40
8.800.032	1 1/4"	32	92	19	70	160	40
8.800.040	1 1/2"	40	104	20	80	190	40
8.800.050	2"	50	116	20	90	190	25
8.800.065	2 1/2"	65	128	25	110	235	25
8.800.080	3"	80	150	24	130	285	25
8.800.100	4"	100	178	26	150	310	25